



# AquaSurge<sup>®</sup>PRO Adjustable Flow Pump

## Remote-Controlled Skimmer and Pondless<sup>®</sup> Waterfall Vault Pump

**For Models:**

- 2000-4000 (Item #45009)
- 4000-8000 (Item #45010)



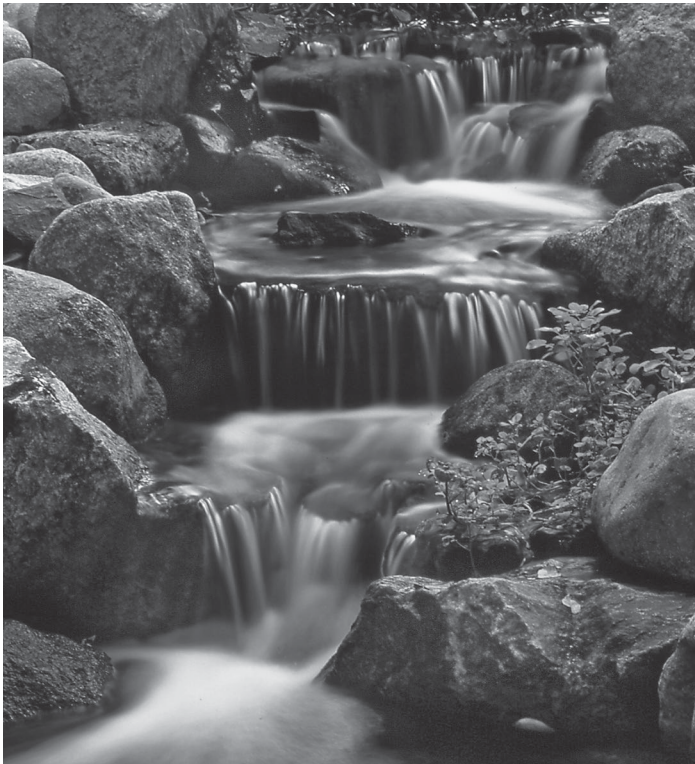
Engineered for  
Continuous Use

[www.aquascapeinc.com](http://www.aquascapeinc.com)

Document Created by: **Sikich Marketing & Public Relations**

<b>Document Creator Contact Information:</b> Sikich Marketing & Public Relations 1415 W. Diehl Rd., Suite 400 Naperville, IL 60563 p 630.717.7515 f 630.566.8401	Document Designer:	Rick Byers	Client	Aquascape, Inc.
	Designer E-Mail:	rbyers@sikich.com	Client Contact	Flavio Ramirez
	Sikich Job Number:	140911320	Client Contact E-Mail	framirez@aquascapeinc.com
	Number of Colors	1/1	Client P.O. Number	140188
	Number of Pages	16	Client Job Description:	45015 AquaSurge PRO Instructions 10-14
	Flat Size (W x H)	17" x 11"	Folded Size (W x H x D)	8.5" x 11"

**Thank you for choosing the AquaSurge®PRO Remote-Controlled pump.** Aquascape our goal is to provide our customers with the best valued products in water gardening. We hope you enjoy your purchase and thank you for choosing Aquascape. *Your Paradise. Our Passion.®*



# AquaSurge®PRO Adjustable Flow Pump



### 3 Year Warranty

The AquaSurge®PRO Pond Pump is guaranteed for three years from date of purchase. Proof of purchase required. Warranty does not cover damage resulting from negligent handling, misuse or lack of reasonable maintenance for care. Warranty is valid against defect due to material and the company's workmanship only. The sole obligation shall be to replace the defective unit with a suitable replacement unit. Units should be checked for proper operation prior to returning as defective. No liability for loss or damage of any nature or kind, whether arising out of or from the use of the product, whether defective or not defective, is assumed by Aquascape, Inc. or its affiliates.

### Contact Us

For more information about our company or products please visit our website at [www.aquascapeinc.com](http://www.aquascapeinc.com) or call (US) 1-866-877-6637 (CAN) 1-866-766-3426.

### Table of Contents

Introduction .....	3
Safety Information .....	4
Installation .....	4
Operation and Maintenance .....	6
Troubleshooting .....	8



VISIT OUR WEBSITE



DOWNLOAD A FREE COPY OF OUR CATALOG

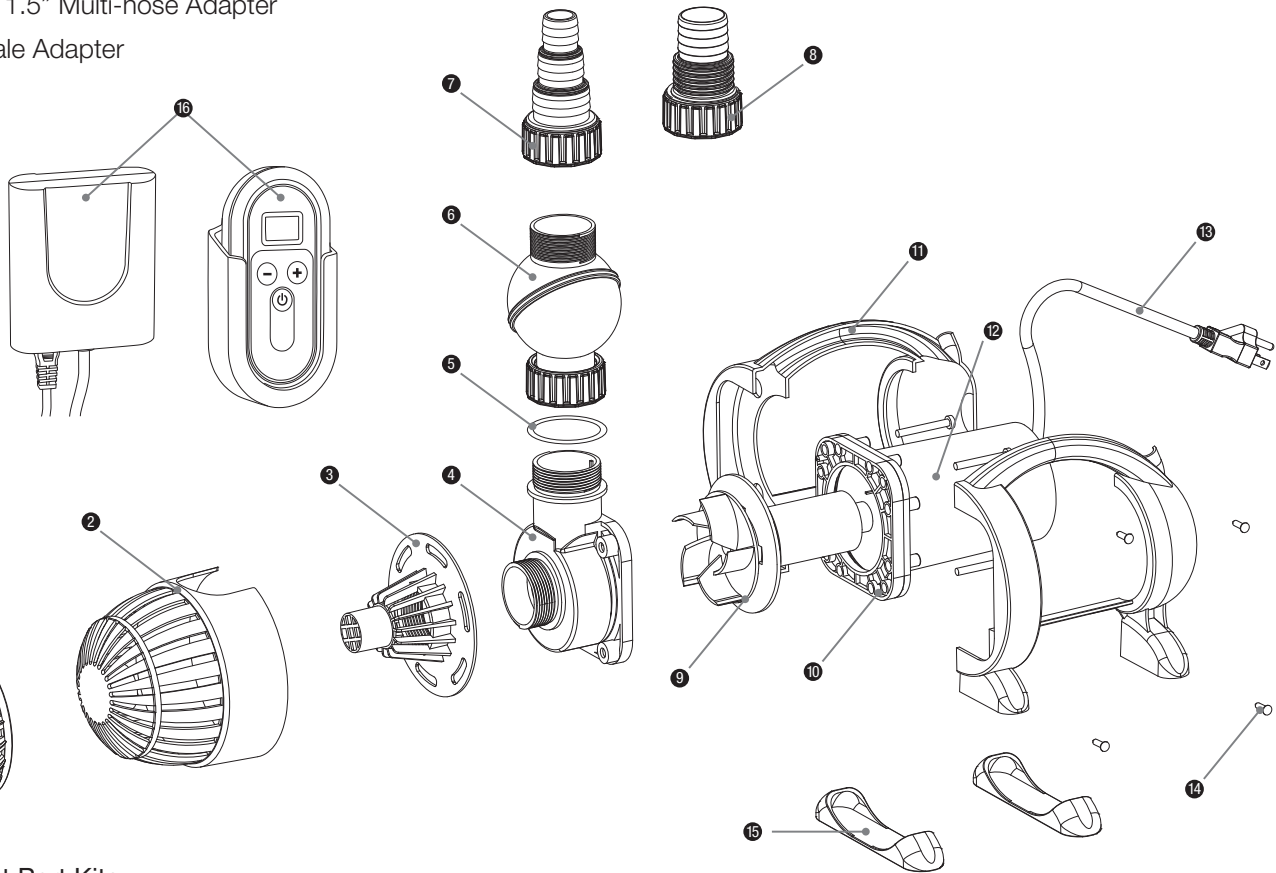
## Introduction

The Aquascape AquaSurge®PRO asynchronous skimmer and waterfall pumps accomplish what most other pumps only aspire to achieve. The combination of energy efficient performance and ease of maintenance, makes this the pump of choice for discriminating professionals. The ability

to adjust flow makes it easy to select the right pump for any application. AquaSurge®PRO pumps are ideal for use in skimmer and falls filter systems, as well as Pondless® Waterfall filter vaults.

### Contents & Pump Parts:

- (1) AquaSurge®PRO Pump
- (1) Remote Control
- (1) Receiver
- (1) 1.50" Rotational Ball Output
- (1) 1.5", 2" Multi-hose Adapter
- (1) 1", 1.25", 1.5" Multi-hose Adapter
- (1) 1.5" Female Adapter



### Replacement Part Kits

#### #91063 AquaSurge®PRO Pump Intake Screen Kit

- AquaSurge®PRO 2000 and 3000 only
- 1 Filter Stand Ring
  - 2 Outer Filter
  - 3 Inner Filter

#### #45011 AquaSurge®PRO Pump Intake Screen Kit

- AquaSurge®PRO 4000 and 5000 only
- 1 Filter Stand Ring
  - 2 Outer Filter
  - 3 Inner Filter

#### #91065 AquaSurge®PRO Pump Discharge Fitting Kit

- 5 Flat Rubber Washer
- 6 1.5" Rotational Ball Outlet, Threaded Collar
- 7 3/4" 1" 1.25" Multi-Hose Adapter & Threaded Collar
- 8 1", 1.25", 1.5" Multi-Hose Adapter & Threaded Collar

#### #91066 AquaSurge®PRO Pump Water Chamber Cover & O-Ring Kit

- AquaSurge®PRO 2000 - 4000 only
- 4 Water Chamber Cover
  - 10 O-Ring Pump Boot

#### #45014 AquaSurge®PRO Pump Water Chamber Cover & O-Ring Kit

- AquaSurge®PRO 5000 - 8000 only
- 4 Water Chamber Cover
  - 10 O-Ring Pump Boot

#### #91068 AquaSurge®PRO Pump Handle & Feet Kit

- AquaSurge®PRO 2000 - 4000 only
- 11 Right & Left Handles
  - 14 Handle Screws
  - 15 Rubber Feet

#### #45012 AquaSurge®PRO Pump Handle & Feet Kit

- AquaSurge®PRO 5000 - 8000 only
- 11 Right & Left Handles
  - 14 Handle Screws
  - 15 Rubber Feet

#### #45013 AquaSurge®PRO Remote and Receiver Kit

- 16 Remote & Receiver

#### Replacement Parts Not Available

- 9 Rotor Assembly Impeller
- 12 Pump Body
- 13 Power Cord



## Safety Information



**WARNING:** Risk of electric shock – This pump has not been approved for use in swimming pool or marine areas



**WARNING:** To provide continued protection against risk of electric shock, connect to properly grounded, ground fault circuit interrupter (GFCI) outlets only, using the following guidelines:

- (A) Have a qualified electrician install a properly grounded receptacle outlet, acceptable for outdoor use and protected from snow and rain.
- (B) Inspect cord before using.
- (C) Do not using extension cords.
- (D) Any wiring of pumps should be performed by a qualified electrician to ensure code compliance and user safety.
- (E) Unplug pump at receptacle outlet when not in use or before removal from pond.
- (F) To reduce risk of electrical shock, all wiring and junction connections should be made per local

codes. Requirements may vary depending on usage and location.

- (G) The power cable should be protected at all times to avoid punctures, cuts, bruises and abrasions.
- (H) Never handle power cords with wet hands.
- (I) Do not remove cord and strain relief. Do not connect conduit to pump.
- (J) Do not use power cable to lift pump.



## Installation

- Always operate the pump fully submerged; or if using in-line ensure a constant source of fresh water. Failure to do so may overheat the pump and cause it to fail, voiding the warranty.
- Use only in fully assembled state, paying particular attention to ensure that both the outer and inner filter screens are attached to the pump. Failure to operate the pump without the filter screen will allow large debris to enter the pump and cause the pump to fail, voiding the warranty.
- Do not wear loose clothing that may become entangled in the impeller or other moving parts.
- Keep clear of suction and discharge openings. DO NOT insert fingers in pump with power connected.
- Do not pump hazardous materials or liquids, such as oil, saltwater or organic solvents.
- Do not block or restrict discharge.
- Products returned must be cleaned, sanitized, or decontaminated, as necessary, prior to shipment to ensure that employees will not be exposed to health hazards in handling said material. All applicable laws and regulations shall apply.



**IMPORTANT:** Aquascape, Inc. is not responsible for losses, injury, or death resulting from a failure to observe these safety precautions, misuse or abuse of pumps or equipment.

### AquaSurge®PRO Specifications

- Input Voltage: 120V AC
- Input Frequency: 60 Hz
- Submersible pump
- For outdoor or indoor use
- Thermally protected
- This pump has been evaluated for use with water only
- Input Amps & Wattage: *See chart on next page*



VIDEO ON AQUASURGE  
PUMP MAINTENANCE &  
TROUBLESHOOTING TIPS

### AquaSurge®PRO Pump Specs

Model Number	2000-4000	4000-8000
Item Number	45009	45010
Average Pond Size Recommendation	2000-4000 US gallons	4000-8000 US gallons
Maximum Flow Rate	3947	7793
Maximum Head Height	18.55'	27.89'
Motor Type	Asynchronous	Asynchronous
Wattage	180 - 215 *	500 - 660*
Amperage	1.82	5.5
Power Cord Length	20 ft	20 ft
Discharge Hose Diameter	1", 1.25", 1.5", 2"	1", 1.25", 1.5", 2"
Warranty	3 Year Limited	3 Year Limited

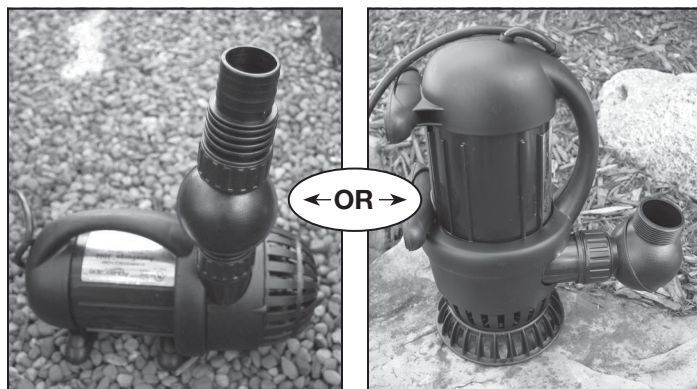
\*Wattage range depending on remote control flow setting

### Typical Installation in a Skimmer or Pondless® Waterfall Filter System

- Do not submerge AquaSurge®PRO pump directly into the pond. The AquaSurge®PRO pump is designed to be placed inside a skimmer, Pondless® vault, sump or basin. Please consider the Aquascape AquaForce® solids handling pump if your application does not have a filter and requires a pump that can be placed directly into the pond.
- The AquaSurge®PRO pump is designed to be installed horizontally on the vibration and noise reducing rubber feet. The pump can also be mounted vertically, if needed, by attaching the Filter Stand Ring on the Outer Filter Screen, included with your pump.



AquaForce® Pond Pump



- The AquaSurge®PRO includes a wide assortment of fittings to choose from. Select the appropriate fitting or fittings needed for your application.

**PLEASE NOTE:** If using the AquaSurge®PRO Check Valve, please follow the installation instructions included with the Check Valve for proper plumbing steps

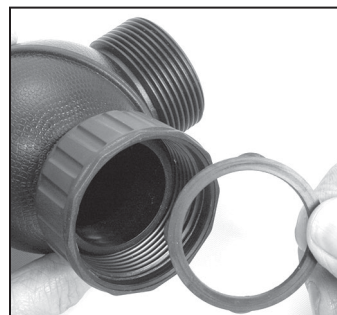
- The threaded collar on all of the fittings enables the AquaSurge®PRO pump to be installed and removed without the need for any tools. (Do not use tools to install the fittings into the pump discharge. Fittings need to be only hand tight).



Multi Hose Adapter



- The extremely versatile Rotational Ball Outlet provides you the ability to adjust the pump discharge to the perfect position your water feature set up requires. Loosen the threaded collar on the rotational ball and rotate to desired position. A flat rubber washer seal is included to ensure a hand-tight and leak-free connection. Make sure this flat rubber washer is in place before installing the fittings.



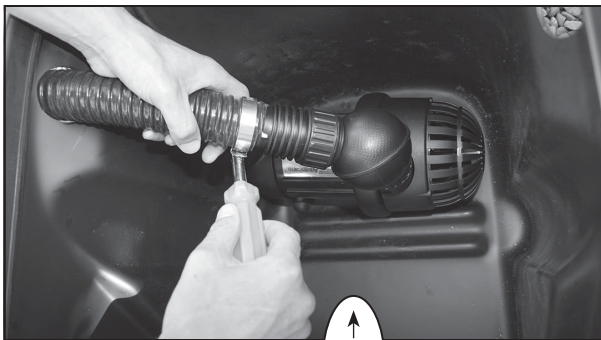


- Install the right sized Multi-Hose Adapter based on the diameter of the tubing you are using.

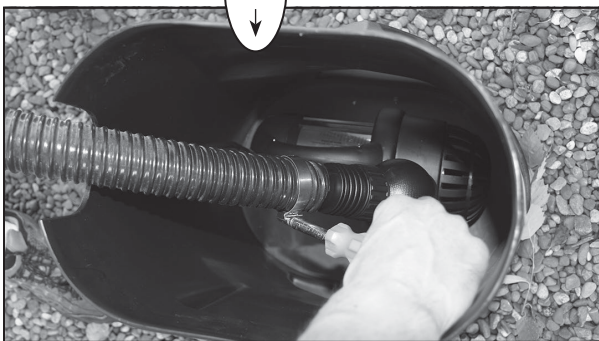


- If using pipe with a larger diameter than the smaller fittings of the Multi-Hose Adapters, cut off the smaller section to avoid any flow restriction.

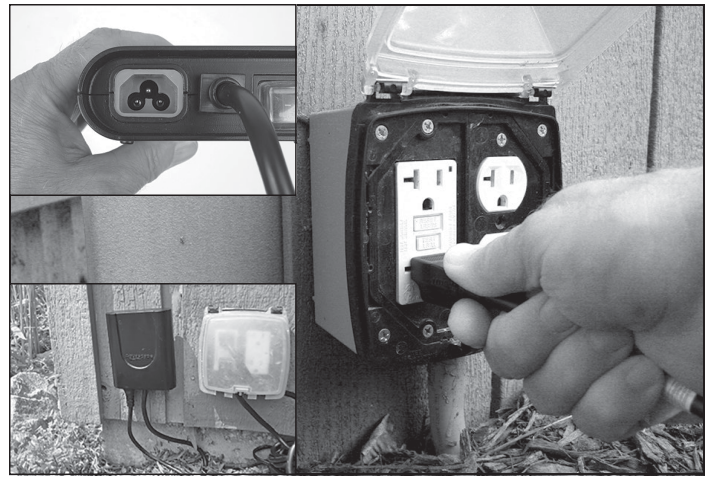
- In some instances the tubing/hose may be tight and difficult to use with hose fitting barbs. If this is the case we recommend heating the hose with the use of a hair dryer or simply dipping the hose for a few seconds in very hot water. Lubrication can also be used; we recommend silicone grease or olive oil. We recommend putting the fitting on the filter before attaching the tubing/hose. Once the fitting is in place, attach the tubing/hose onto the fitting with a twisting motion pushing it into place.
- Lower the pump into the skimmer (refer to image) or Pondless® filter (refer to image) and rotate the Rotational Ball Output to line up with the tubing. Attach tubing to the fitting and then tighten a hose clamp (not included) to secure tubing onto the fitting.



Skimmer application



Pondless® Waterfall application



- It is recommended to mount the receiver above the ground on a post, fence or wall.
- Plug the pump into the receiver making sure that blue plug gasket is in plug port.
- Plug the Receiver into an external GFI-rated electrical source.

### In-Line Operation

- The AquaSurge®PRO pump can also be operated “in-line” by attaching a pipe connected directly from the pond (or aquarium) to the male-threaded pump inlet. In this case the water must be pre-filtered of debris in order to prevent any damage to the pump or impeller. The pump must NEVER be operated dry without water. This pump is water-cooled and requires water flowing through the pump at all times for the pump to operate correctly and stay cooled so it doesn’t overheat.

## Operation and Maintenance

### Remote Control and Receiver Operation

- **Receiver Switch** – The Receiver includes a switch that allows the pump to be operated in the two following modes:

Position 1 - Operated by Remote Control

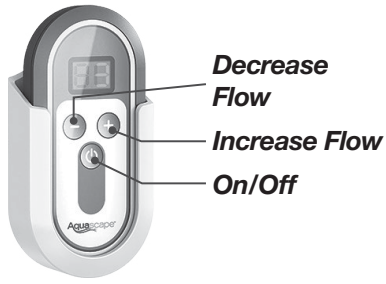
Position 2 - Bypass the Remote, and operate at full flow-rate

In the event of a power loss when operating in the Remote Control setting, the pump will revert to the last flow-rate setting.



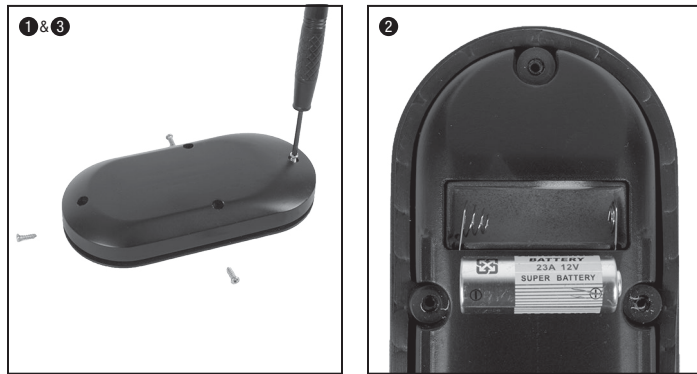
• **Remote Control –**

The Remote Control includes the ability to turn the pond on, and adjust the flow of the pump. Make sure the switch, on the Receiver, is in the Remote Control setting in order for the Remote to work properly. The Remote Control has an approximate range of 150 feet. The range of the Remote may be reduced if there are obstacles between the Remote and Receiver. Use the included mounting holster provided to provide a location to store the remote control. It is recommended to mount the holster in an area that is protected from the outdoor elements.



**PLEASE NOTE:** The Remote Control and Receiver are paired together with their own unique frequency. For this reason Remote Control replacement kits include both Remote Control and Receiver.

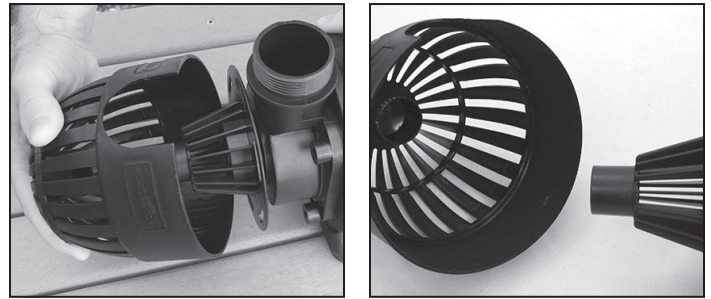
• **Battery Installation**



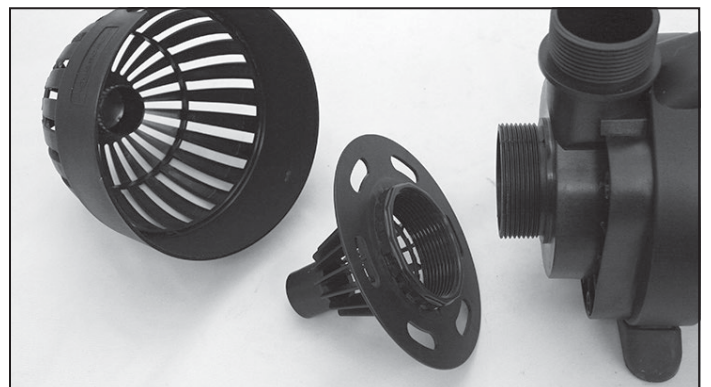
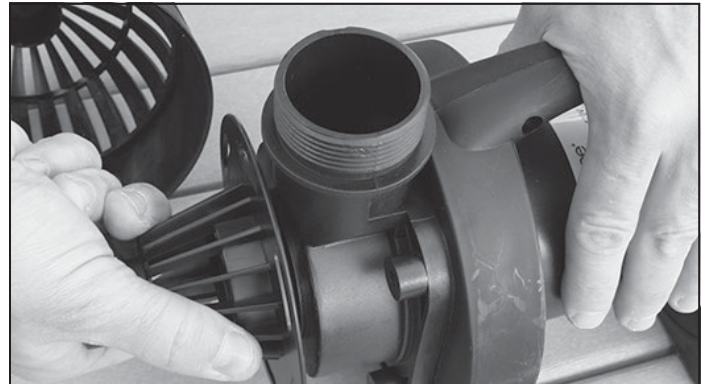
1. Remove 4 screws. Remove back cover plate.
2. Place battery in battery compartment.
3. Place back cover and install screws.

- **Filter Screens –** Do not remove the outer or inner filter screens while operating the pump. Failure to operate the pumps without the filter screens will allow large debris to enter the pump causing the pump to fail voiding the warranty.
- **Filter Screen Cleaning –** We recommend inspecting your pump on a regular basis, to make sure it is functioning properly. If you notice the water flow rate diminish it may be due to the pump's filter screen becoming clogged with debris. Always disconnect the power before performing maintenance on the pump. In many cases the clogged screen can be cleaned by reaching in the filter and removing, by hand, any debris from the filter screen. If there is a lot of debris and/or the debris is difficult to clean you may need to disconnect the threaded collar on the fitting and remove the pump from the filter for a more thorough cleaning. A garden hose can be used to spray off any debris stuck on the filter screen. Be sure to replace the screen and make sure it is firmly attached to the pump body before lowering the pump back into the filter box.

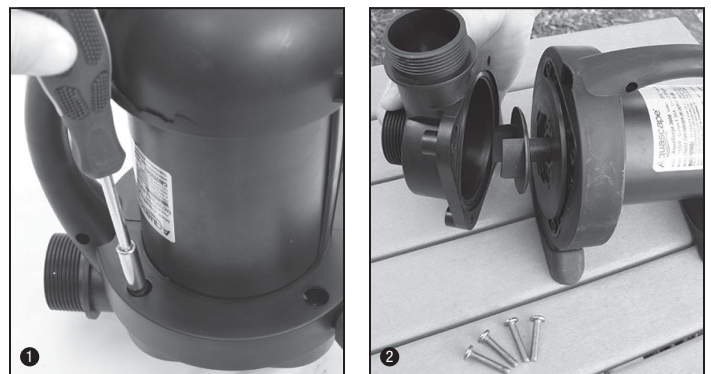
- The outer screen is designed to pop off when it is gently pulled from either side.



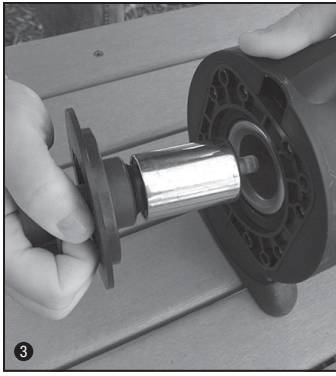
- The inner filter screen is threaded on and can be removed by unscrewing counterclockwise.



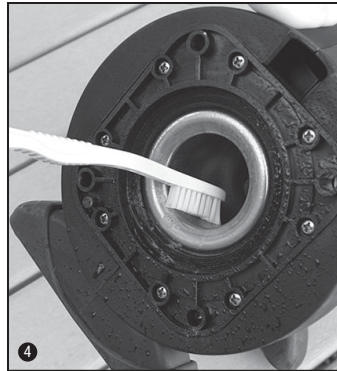
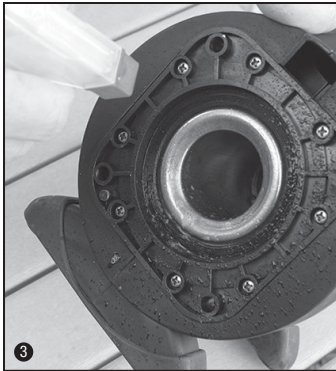
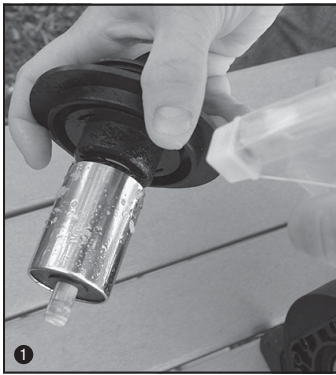
- **Internal Pump Cleaning –** If you have thoroughly cleaned the filter screens on the pump and still have diminished flow rates, you will need to remove the water cover chamber and inspect the impeller rotor assembly.







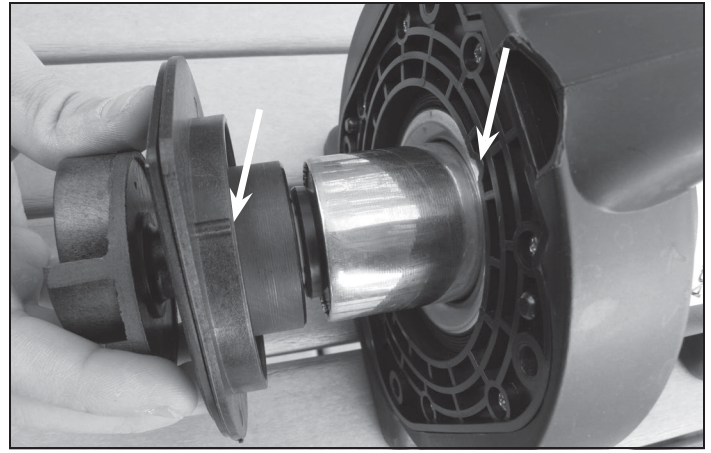
- If your rotor assembly impeller and internal pump body have excessive scale build-up, clean with a mild acid, such as white vinegar or non-abrasive calcium, lime and rust remover product, using a sponge or soft-bristled brush that won't scratch the stainless steel. Removing scale build-up will allow your pump to run like new again.



- When re-assembling the pump, be sure to align the raised key on the impeller flange to the matching notch in the face of the pump flange.



VIDEO ON AQUASURGE  
PUMP MAINTENANCE &  
TROUBLESHOOTING TIPS



- **Winter Storage** – If concerned about possible freeze damage, disconnect the threaded collar on the fitting and remove the pump from the filter (Be careful not to lose the flat rubber washer). Clean the pump and inlet screens with fresh water and store the pump in a frost-free location. The pump can be run during freezing weather, if desired, but the pump should be removed in the event of a power failure to prevent any freeze damage to either the pump or the piping.

## Troubleshooting

- **Reduced Water Flow**
  - Pump or plumbing may be clogged. It may be necessary to clean the filter screens and impeller.
- **Pump Hums and Doesn't Push Water**
  - Pump or plumbing may be clogged. It may be necessary to clean the filter screens and impeller
  - Remove the water chamber cover and inspect and clean the impeller rotor assembly and internal pump body
  - Make sure nothing is blocking or wrapped around the impeller.
  - Make sure the pump is receiving the correct voltage.
- **Pump Not Working**
  - The ground-fault circuit-interrupter (GFCI) may have tripped
  - The pump is not receiving the correct voltage.
  - Remote Control Not Working
  - Check to make sure the switch located on the Receiver is in the Remote Control position.
  - Check the label on the back of the Receiver and transmitter to make sure they are paired to the same frequency.
  - Check to make sure the battery is installed properly. Replace battery if needed.

For more information about our company or products, please visit our website at [www.aquascapeinc.com](http://www.aquascapeinc.com) or call us at (US) 1-866-877-6637 (CAN) 1-866-766-3426

45015.11320

©2014 Aquascape, Inc. • All Worldwide Rights Reserved



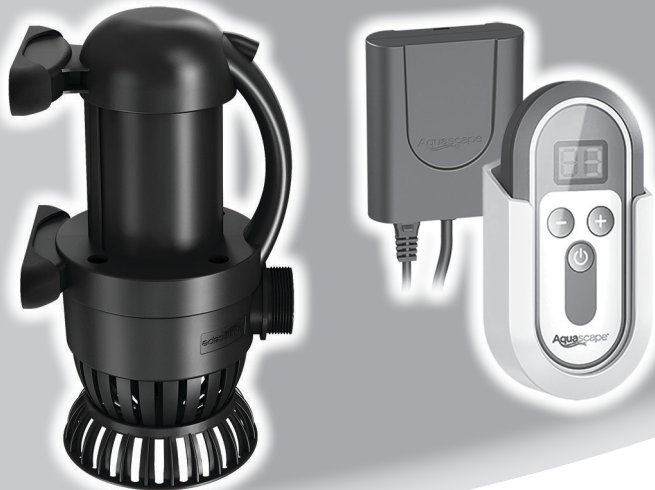
**Aquascape** *PRO*  
Professional Grade Products

# AquaSurge<sup>®</sup>PRO Pompe à débit réglable

**Pompe de voûte  
pour cascades sans  
bassin Pondless<sup>™</sup>  
avec écumoire  
AquaSurge<sup>™</sup>PRO  
télécommandée**

**Pour les modèles suivants :**

- 2000-4000 (article n° #45009)
- 4000-8000 (article n° #45010)

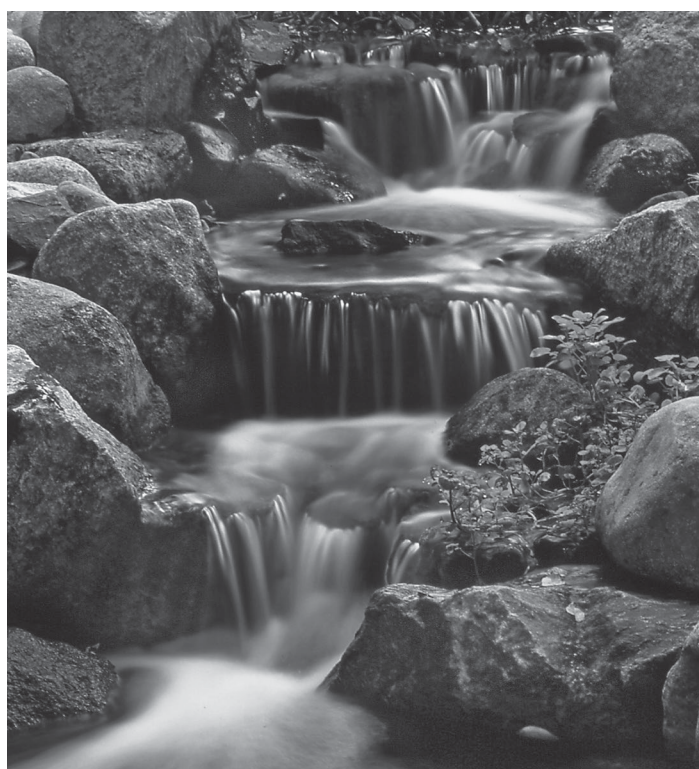


Conçue pour une  
utilisation continue



[www.aquascapeinc.com](http://www.aquascapeinc.com)

**Merci d'avoir choisi l'AquaSurge<sup>MD</sup>PRO pompe avec télécommande.** Chez Aquascape, notre but est de fournir à nos clients des produits de la plus haute qualité pour le jardinage aquatique. Nous espérons que vous aimerez votre achat et nous vous remercions d'avoir choisi Aquascape. *Votre paradis. Notre passion.<sup>MD</sup>*



# AquaSurge<sup>PRO</sup> Pompe à débit réglable



## Garantie de trois ans

La pompe AquaSurge<sup>MD</sup>PRO pour plan d'eau a une garantie de trois ans à partir de la date d'achat. Une preuve d'achat est exigée. La garantie ne couvre pas les dégâts résultant de la négligence de manutention, d'une mauvaise utilisation, ou de l'entretien ou de soins défectueux. La garantie est valable contre les défauts dans les matériaux et les défauts de fabrication seulement. Le remplacement de l'unité défectueuse par une unité de rechange appropriée sera la seule obligation. Les unités devront être vérifiées afin de s'assurer de leur bon fonctionnement avant de les retourner en tant qu'unité défectueuse. Aquascape inc. ou ses filiales n'assumeront aucune responsabilité en cas de perte ou de dégâts de n'importe quelle nature, provenant ou résultant de l'utilisation du produit, défectueux ou non.

## ☎ Nous joindre

Pour plus de renseignements au sujet de notre société ou de nos produits, veuillez visiter notre site Web au [www.aquascapeinc.com](http://www.aquascapeinc.com) ou téléphonez sans frais au 1 866 766 3426, au Canada, ou au 1 866 877 6637, aux États-Unis.

## Table des matières

Introduction .....	11
Renseignements de sécurité .....	12
Mode d'emploi .....	12
Fonctionnement et entretien .....	14
Diagnostic des pannes.....	16



VISITEZ NOTRE  
SITE WEB



EFFECTUEZ UNE  
RECHERCHE  
DANS NOTRE  
CATALOGUE



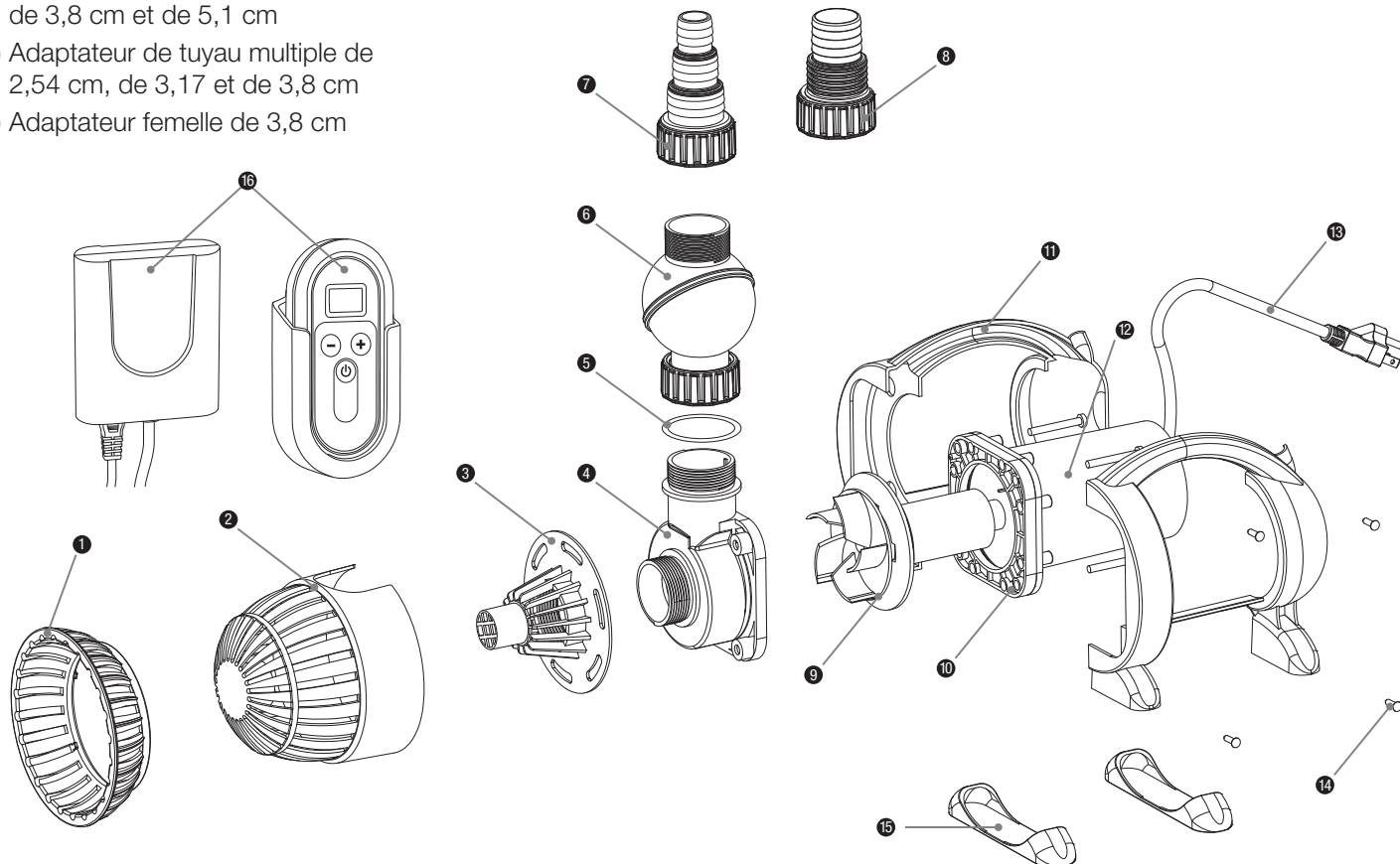
## Introduction

Les pompes asynchrones pour cascades avec écume AquaSurge<sup>MD</sup>PRO effectuent ce que la plupart des autres pompes n'aspirent qu'à réaliser. La combinaison d'une performance écoénergétique, d'un haut débit et de la facilité d'entretien fait de cette pompe le choix idéal des professionnels exigeants. La

capacité d'ajuster le débit facilite le choix de la bonne pompe pour n'importe quelle application. Les pompes AquaSurge<sup>MD</sup>PRO sont idéales pour une utilisation avec les systèmes de filtration avec écume d'Aquascape ou de même type, aussi bien qu'avec les voûtes de filtration pour cascades Pondless<sup>MD</sup>.

### Contenu et pièces de pompe

- (1) Pompe AquaSurge<sup>MD</sup>PRO
- (1) Télécommande et Récepteur
- (1) Sortie d'eau à boule pivotante de 3,8 cm
- (1) Adaptateur de tuyau multiple de 3,8 cm et de 5,1 cm
- (1) Adaptateur de tuyau multiple de 2,54 cm, de 3,17 et de 3,8 cm
- (1) Adaptateur femelle de 3,8 cm



### Ensemble de pièces de rechange

N° 91063 Ensemble pour grille d'entrée AquaSurge<sup>MD</sup>PRO 2000 et 3000 seulement

- ① Anneau de support pour filtre
- ② Filtre externe
- ③ Filtre interne

N° 45011 Ensemble pour grille d'entrée AquaSurge<sup>MD</sup>PRO 4000 et 5000 seulement

- ① Anneau de support pour filtre
- ② Filtre externe
- ③ Filtre interne

N° 91065 Ensemble de raccords de sortie d'eau

- ⑤ Rondelle en caoutchouc plate
- ⑥ Sortie d'eau à boule pivotante de 3,8 cm
- ⑦ Adaptateur de tuyau multiple de 1,9 cm, 2,54 cm et 3,17 cm et col fileté
- ⑧ Adaptateur de tuyau multiple de 2,54 cm, de 3,17 et de 5,1 cm et col fileté

N° 91066 Couvercle de la chambre de l'eau et ensemble de joint torique AquaSurge<sup>MD</sup>PRO 2000 et 4000 seulement

- ④ Couvercle de réservoir
- ⑩ Joint torique pour coffre de pompe

N° 45014 Couvercle de la chambre de l'eau et ensemble de joint torique AquaSurge<sup>MD</sup>PRO 4000 et seulement

- ④ Couvercle de réservoir
- ⑩ Joint torique pour coffre de pompe

N° 91068 Ensemble de poignées et de supports AquaSurge<sup>MD</sup>PRO 2000 et 4000 seulement

- ⑪ Poignées de gauche et de droite
- ⑭ Vis pour poignées
- ⑮ Supports en caoutchouc

N° 45012 Ensemble de poignées et de supports AquaSurge<sup>MD</sup>PRO 5000 et 8000 seulement

- ⑪ Poignées de gauche et de droite
- ⑭ Vis pour poignées
- ⑮ Supports en caoutchouc

N° 45013 Trousse de télécommande et récepteur

- ⑯ Télécommande et récepteur

Non disponible

- ⑨ Ensemble de rotor à turbine
- ⑫ Corps de la pompe
- ⑬ Cordon d'alimentation

## Renseignements de sécurité



**MISE EN GARDE :** *risque de choc électrique – Cette pompe n'a pas été approuvée pour une utilisation en piscine ou en zones marines.*



**MISE EN GARDE :** *Afin d'assurer une protection continue contre le risque de décharge électrique, ne branchez le cordon qu'à une prise d'alimentation avec mise à la terre, en observant les directives suivantes :*

- (A) Faites installer une prise de courant correctement mise à la terre convenant à une utilisation extérieure et protégée de la neige et de la pluie
- (B) Inspectez le cordon d'alimentation avant l'utilisation
- (C) N'utilisez pas de rallonge électrique
- (D) Tout câblage relié à la pompe devrait être exécuté par un électricien qualifié pour être en conformité avec les normes et s'assurer de la sécurité de l'utilisateur
- (E) Débranchez la pompe de la prise de courant lorsque vous ne vous en servez pas ou avant de la sortir du plan d'eau
- (F) Pour réduire le risque de décharge électrique, tout le câblage et les raccordements de jonction devraient être

exécutés selon les normes locales. Les exigences peuvent varier en fonction de l'utilisation et de l'emplacement

- (G) Le câble électrique devrait être protégé en tout temps pour éviter les perforations, les coupures, les ecchymoses et les abrasions
- (H) Ne manipulez jamais les cordons d'alimentation avec les mains humides
- (I) N'enlevez pas le cordon et le dispositif de réduction de la tension. Ne joignez pas le conduit à la pompe
- (J) Ne soulevez pas la pompe par le cordon d'alimentation.



## Mode d'emploi

- Faites fonctionner la pompe uniquement lorsqu'elle est entièrement submergée; ou si vous l'utilisez sans l'immerger, assurez-vous de maintenir une source constante d'eau douce. Ne pas faire ceci entraînera un surchauffement de la pompe et causera une défaillance de fonctionnement annulant ainsi la garantie.
- N'utilisez que lorsque la pompe est entièrement assemblée, prêtant une attention particulière aux grilles de filtration tant extérieures qu'intérieures pour s'assurer qu'elles soient fixées à la pompe. Faire fonctionner la pompe sans la grille de filtration permettra à des débris de grande taille d'entrer dans la pompe entraînant ainsi sa défaillance et annulant de ce fait la garantie.
- Ne portez pas de vêtements amples qui peuvent s'empêtrer dans la turbine ou dans d'autres pièces en mouvement.
- Restez à l'écart des sorties et des entrées d'eau. **N'INSÉREZ PAS** de doigts dans la pompe lorsqu'elle est branchée.

- Ne pompez pas de matières dangereuses ou des liquides, tels que l'huile, l'eau salée ou les solvants biologiques.
- Ne bloquez ni ne restreignez la sortie de la pompe.
- Les produits retournés doivent être nettoyés, désinfectés ou décontaminés au besoin, avant l'expédition pour s'assurer que les employés ne soient pas exposés à des risques pour la santé lors de la manutention dudit matériel. Toutes lois et tous règlements en vigueur seront applicables.



**IMPORTANT:** *Aquascape inc. n'est nullement responsable des pertes, blessures ou décès résultant du non-respect de ces consignes, d'une mauvaise utilisation ou d'une utilisation abusive de la pompe ou de l'équipement.*

## Caractéristiques techniques d'AquaSurge<sup>MD</sup>PRO

- Tension d'entrée : 120 V c.a.
- Fréquence d'entrée : 60 Hz
- Pompe submersible
- Pour utilisation extérieure ou intérieure
- Protection thermique
- Boîtier de type 3
- Pompe évaluée en utilisation avec de l'eau seulement
- Intensité de courant d'entrée et puissance en watts :  
*Voir le tableau à la page suivante*



VIDÉO SUR L'ENTRETIEN ET  
CONSEILS DE DÉPANNAGE  
UNE POMPE AQUASURGE



### Caractéristiques techniques des pompes AquaSurge<sup>MD</sup>PRO

Numéro de modèle	2000-4000	4000-8000
Numéro de l'article	45009	45010
Recommandation de la taille moyenne du plan d'eau	7 570 - 15014 L	15 141 - 30 283 L
Débit maximal	14 941 l/h	29 500 l/h
Hauteur maximale	18,5 pi/5,65 m	27,89 pi/8,5 m
Type de moteur	Asynchrone	Asynchrone
Puissance en watts	180 - 215*	500 - 660*
Intensité de courant	1,82	5,5
Longueur de cordon d'alimentation	20 pi/6,10 m	20 pi/6,10 m
Diamètre du boyau de sortie d'eau	2,5 cm, 3,17 cm, 3,8 cm, 5,1 cm	2,5 cm, 3,17 cm, 3,8 cm, 5,1 cm
Garantie	Limitée de 3 ans	Limitée de 3 ans

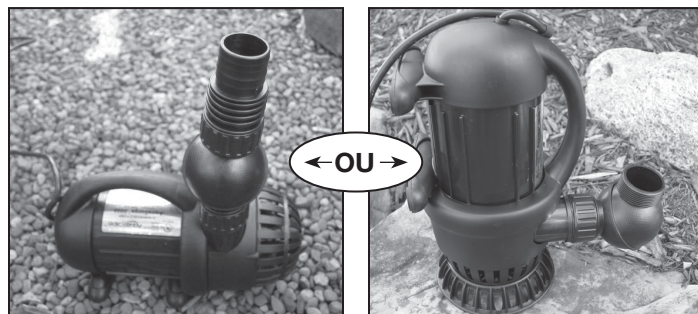
\*Gamme de Puissance selon le réglage du flux de contrôle à distance

#### Installation typique dans un système de filtration pour cascades à écumoire ou sans plan d'eau (Pondless<sup>MD</sup>)

- Ne submergez pas la pompe AquaSurge<sup>MD</sup> PRO directement dans le plan d'eau. La pompe AquaSurge<sup>MD</sup> PRO est conçue pour être placée à l'intérieur d'une écumoire, d'une voûte Pondless<sup>MD</sup>, d'un puisard ou d'un bassin. Veuillez envisager l'utilisation de la pompe pour traitement des matières solides AquaForce<sup>MD</sup> d'Aquascape si votre aménagement n'a pas de filtre et qu'il exige une pompe qui peut être placée directement dans le plan d'eau.
- La pompe AquaSurge<sup>MD</sup> PRO est conçue pour être installée horizontalement sur le support en caoutchouc réducteur de vibration et de bruit. La pompe peut aussi être montée verticalement, si nécessaire, en attachant l'anneau de maintien pour filtre sur la grille de filtration extérieure incluse avec votre pompe.



AquaForce<sup>MD</sup> étang de la pompe



- L'AquaSurge<sup>MD</sup> PRO comprend un vaste assortiment de raccords parmi lequel choisir. Sélectionnez le raccord approprié ou les raccords nécessaires à votre installation.

**REMARQUE:** Si vous utilisez le clapet antiretour Aquascape<sup>MD</sup> PRO, veuillez suivre les instructions d'installation comprises avec le clapet antiretour pour connaître les étapes de plomberie.

- Le col fileté présent sur tous les raccords permet à la pompe AquaSurge<sup>MD</sup> PRO d'être installée et enlevée sans outils. (*N'utilisez pas d'outils pour fixer les raccords sur la sortie d'eau de la pompe. Les pièces doivent être serrées manuellement seulement.*)



Adaptateur de tuyau multiple



- La sortie d'eau à boule pivotante extrêmement polyvalente vous donne la capacité d'ajuster la sortie d'eau de la pompe à la position requise par votre installation aquatique. Desserrer la bague fileté sur la balle de rotation et tourner à la position désirée. Une rondelle plate en caoutchouc est incluse pour un raccordement serré manuellement et sans fuite. Assurez-vous que la rondelle plate en caoutchouc soit préalablement mise en place avant l'installation des raccords.



- Installez l'adaptateur de tuyau multiple de la bonne taille en vous basant sur le diamètre du tuyau que vous utilisez.



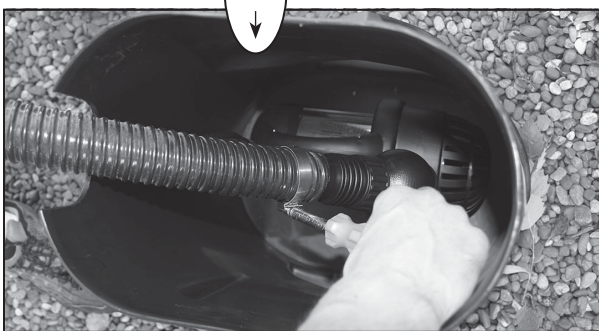
- Si vous utilisez un tuyau d'un diamètre supérieur à la partie la plus étroite de l'adaptateur de tuyau multiple, taillez les parties plus étroites pour éviter toute restriction dans le débit d'eau.

- Dans certains cas, le tuyau peut être serré et difficile à utiliser avec les raccords fileté. Si tel est le cas, nous recommandons à chauffer le tuyau à l'aide d'un sèche-cheveux ou simplement le tuyau plongeant pendant quelques secondes dans de l'eau très chaude. La lubrification peut aussi être utilisée; nous recommandons la graisse de silicone ou d'huile d'olive. Nous vous conseillons de placer le raccord sur le filtre avant de raccorder le tuyau. Une fois que le montage est en place, fixez le tuyau sur le raccord avec un mouvement de torsion poussant en place.
- Déposez la pompe dans l'écumoire (voir l'image) ou le filtre Pondless<sup>MD</sup> (voir l'image) et faites tourner la boule pivotante pour l'aligner avec le tuyau. Attachez le tuyau au raccord et serrez ensuite un collier de serrage (non compris) pour bien fixer le tuyau au raccord.

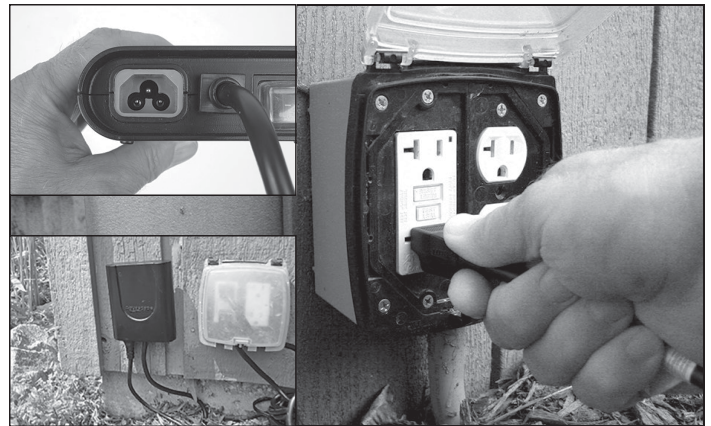


Application d'une écumoire

↑  
OU  
↓



Application pour cascades sans bassin (Pondless<sup>MD</sup>)



- Il est recommandé de monter le récepteur au-dessus du sol sur un poteau, une clôture ou un mur.
- Branchez la pompe dans le récepteur en s'assurant que le bleu joint de bouchon est en prise port.
- Branchez la pompe dans la prise d'alimentation électrique externe GFI.

### Fonctionnement sans immersion

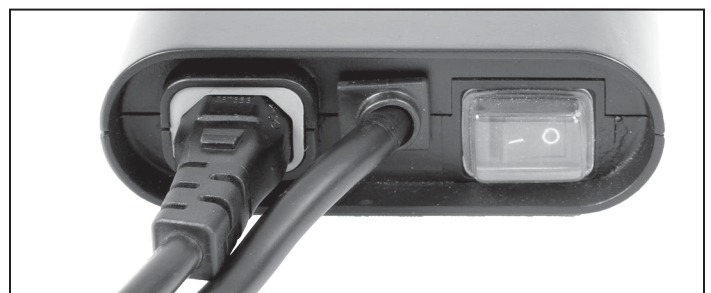
- Vous pouvez aussi faire fonctionner la pompe AquaSurge<sup>MD</sup> PRO sans l'immerger en raccordant directement un tuyau depuis le plan d'eau jusqu'à l'entrée fileté mâle de la pompe. Dans ce cas, l'eau doit être préfiltrée pour éliminer les débris afin de prévenir les dégâts pouvant survenir à la pompe ou à la turbine. Ne faites jamais fonctionner la pompe à sec. Cette pompe est refroidie par l'eau et requiert un écoulement constant afin de fonctionner correctement et de rester fraîche pour éviter le surchauffement.

### Fonctionnement et entretien

#### Fonctionnement de la télécommande et du récepteur

- **L'interrupteur récepteur** – Le récepteur inclut un interrupteur qui permet de faire fonctionner la pompe selon les deux modes ci-après :
  - Position 1 - De fonctionner à l'aide de la télécommande
  - Position 2 - De fonctionner en débit maximal sans la télécommande

En cas de perte de courant électrique, lorsque vous faites fonctionner en mode télécommande, la pompe retournera au dernier réglage de débit.





• **La télécommande –**

La télécommande permet de mettre le plan d'eau en marche et d'ajuster le débit de la pompe. Assurez-vous que l'interrupteur sur le récepteur est en mode télécommande pour que celle-ci fonctionne correctement. Cette dernière a une portée d'environ 45,72 m (150 pi), à condition qu'il n'y ait aucun obstacle entre la télécommande et le récepteur. Utilisez l'étui de montage inclus pour fournir un emplacement pour la télécommande. Il est recommandé de monter l'étui dans un endroit qui est protégée contre les éléments extérieurs.



**Augmentation du débit**  
**Marche-arrêt**  
**Diminution du débit**

**REMARQUE:** La télécommande et le récepteur sont appariés avec leur fréquence propre. Pour cette raison, les trousse de remplacement de télécommande incluent tant la télécommande que le récepteur.

• **Installation des piles**

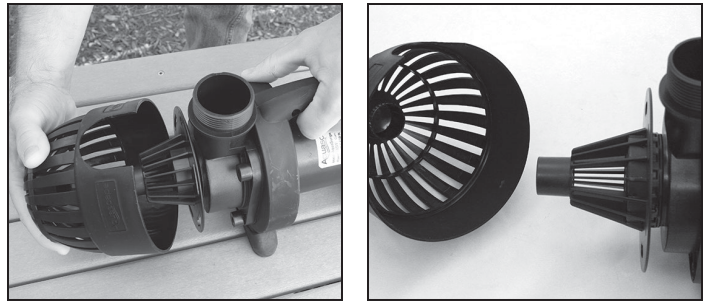


1. Retirez les quatre vis. Retirer la plaque arrière de couverture.
2. Placez la batterie dans le compartiment de la batterie.
3. Replacez le couvercle arrière et installez les vis.

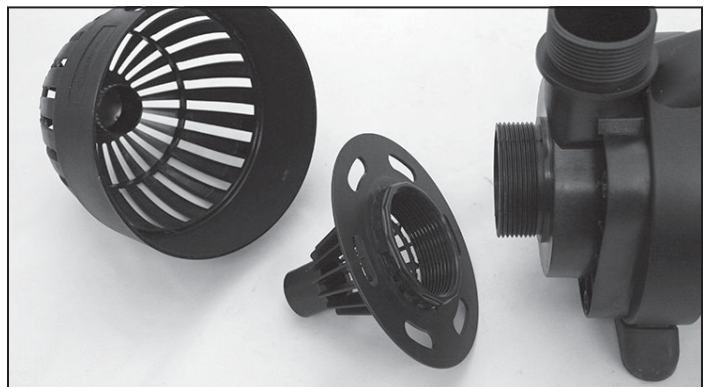
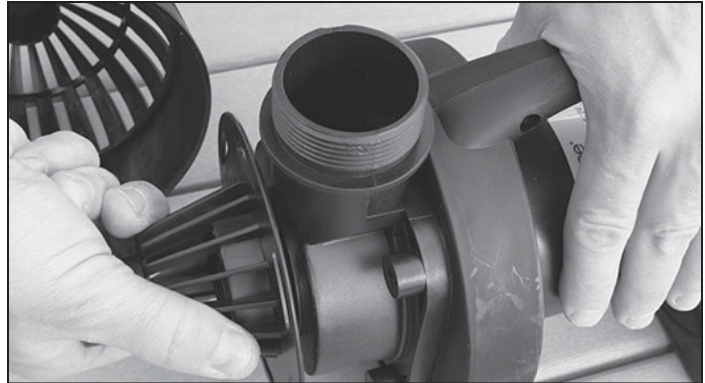
• **Grilles du filtre –** N'enlevez pas les grilles de filtration extérieure ou intérieure lors du fonctionnement de la pompe. Faire fonctionner la pompe sans la cage de filtration permettra à des débris de grande taille d'entrer dans la pompe entraînant ainsi sa défaillance et annulant de ce fait la garantie.

• **Nettoyage des grilles de filtration –** Nous recommandons d'inspecter votre AquaSurge<sup>MD</sup> régulièrement pour vous assurer qu'elle fonctionne correctement. Si vous remarquez que le débit d'eau diminue, cela peut être causé par des débris obstruant les grilles de filtration de la pompe. Débranchez toujours le courant avant l'entretien de la pompe. Dans de nombreux cas, si la cage de filtration est bouchée, elle peut être nettoyée en plongeant la main dans le plan d'eau, ou en sortant la pompe de l'eau et en enlevant manuellement les débris de la cage de filtration. S'il y a beaucoup de débris ou que les débris sont difficiles à nettoyer, ou les deux, vous devrez possiblement défaire le col fileté du raccord et enlever la pompe du filtre pour en faire un nettoyage plus minutieux. Un tuyau d'arrosage peut être utilisé pour arroser tout débris collé sur la grille de filtration. Assurez-vous de remplacer la grille et de la fixer fermement au corps de la pompe avant de redéposer celle-ci dans le boîtier du filtre.

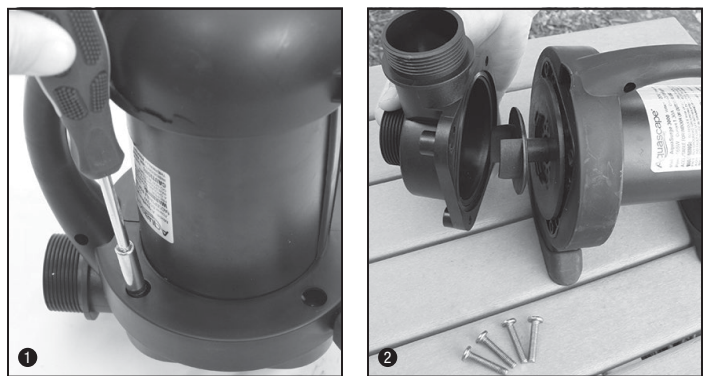
• La grille extérieure est conçue pour sortir quand on la tire doucement de part et d'autre.

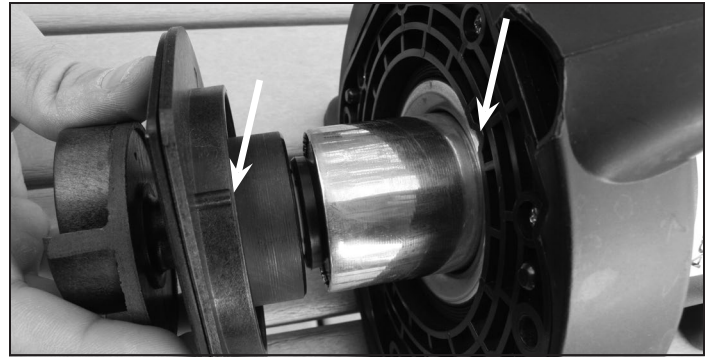
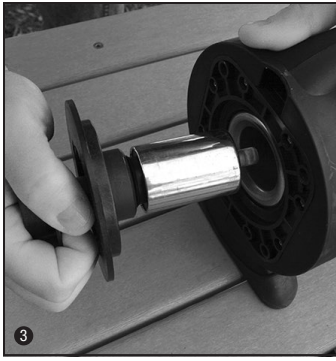


• La grille de filtration intérieure est filetée et peut être enlevée en dévissant en sens inverse des aiguilles d'une montre.

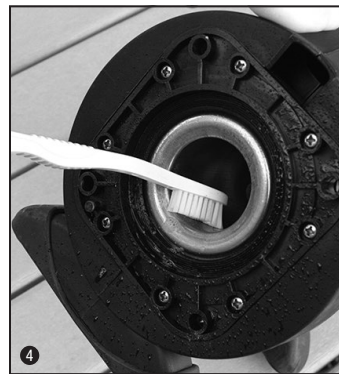
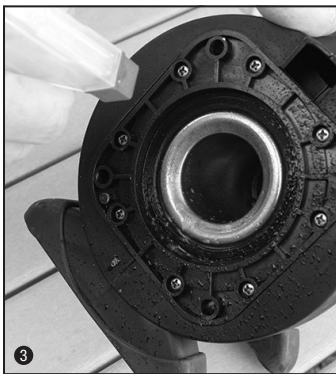


• **Nettoyage de la pompe interne –** Si vous avez nettoyé à fond les grilles de filtration de la pompe et que le débit est toujours réduit, vous devrez enlever le couvercle du réservoir et inspecter l'assemblage du rotor de turbine.





- Si l'assemblage du rotor de turbine et la partie interne de la pompe contiennent des dépôts calcaires excessifs, nettoyez avec un acide doux, comme du vinaigre blanc ou un calcium non abrasif, un produit anti-rouille et anticalcaire en utilisant une éponge de cuisine ou une brosse à poils doux qui n'égratignera pas l'acier inoxydable. Ceci éliminera les résidus calcaires et permettra à la pompe de tourner de nouveau.



- En réassemblant les modèles de pompe 4000 ou 5000, assurez-vous d'aligner la clé soulevée à la bride de pompe à l'encoche correspondante sur la surface de la bride de pompe.



VIDÉO SUR L'ENTRETIEN ET  
CONSEILS DE DÉPANNAGE  
UNE POMPE AQUASURGE

- **Rangement hivernal** – Si vous êtes préoccupé par les dommages possibles causés par le gel, débranchez le col fileté du raccord et sortez la pompe du filtre (gardez prudemment la rondelle en caoutchouc plate). Nettoyez la pompe et les grilles d'entrée d'eau de la cage avec de l'eau douce et rangez la pompe dans un endroit à l'abri du gel. Vous pouvez faire fonctionner la pompe par temps glacial si désiré, mais elle devrait être enlevée en cas de panne de courant afin de prévenir tout dommage à la pompe ou à la tuyauterie dû au gel.

### Diagnostic des pannes

- **Débit d'eau réduit**
  - La pompe ou la plomberie peuvent être bouchés. Il peut être nécessaire de nettoyer les grilles de filtration et la turbine.
- **Bourdonnement de la pompe et absence de propulsion d'eau**
  - La pompe ou la plomberie peuvent être bouchés. Il peut être nécessaire de nettoyer les grilles de filtration et la turbine.
  - Enlevez le couvercle du réservoir, inspectez et nettoyez l'assemblage du rotor de turbine et la partie interne de la pompe.
  - Assurez-vous que rien ne bloque ou n'est enveloppé autour de la turbine.
  - Assurez-vous que la pompe reçoit la bonne tension.
- **Pompe en panne**
  - L'interrupteur du disjoncteur de fuite à la terre (GFCI) peut avoir été déclenché.
  - La pompe ne reçoit pas la bonne tension.
  - Télécommande ne fonctionne pas
  - Assurez-vous que l'interrupteur sur le récepteur est en mode télécommande
  - Vérifiez l'étiquette sur le dos de l'émetteur et le récepteur pour s'assurer qu'ils sont appariés à la même fréquence.
  - Assurez-vous que la batterie est installée correctement. Remplacez la batterie si nécessaire.

Pour plus de renseignements au sujet de notre société ou de nos produits, veuillez visiter notre site Web au [www.aquascapeinc.com](http://www.aquascapeinc.com) ou téléphonez sans frais au 1 866 766 3426, au Canada, ou au 1 866 877 6637, aux États-Unis.

45015.110177

©2014 Aquascape, Inc. • Tous droits réservés mondialement